

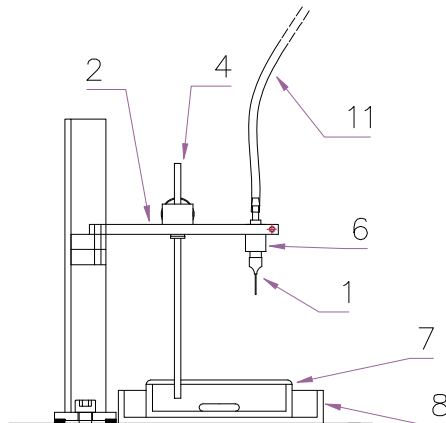
Additional Arm for Unit VAR V1

A-00831 (A 00380)

An additional arm allows the user to continue his work during the time the other nozzle is in the process of being cleaned or autoclaved (sterilised).



Additional arm with standard electrode



Legend:

- (1) Nozzle
- (2) Arm
- (3) Electrode Cable
- (4) Electrode
- (5) Knurled Screw 2

Remark Position 4:

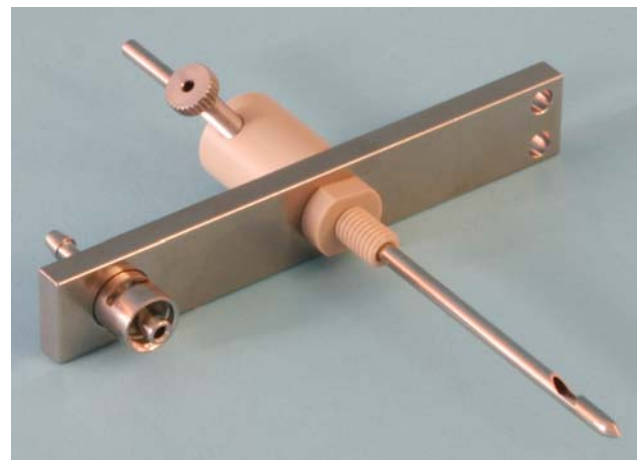
For those customers who work without exchanging calcium solution, we use electrodes without holes as standard; they are easier to clean. The original electrodes with holes, dip tubes for exchanging the hardening solution, are still available as an option (see next picture).



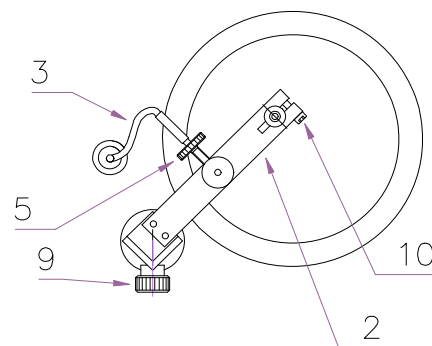
Nisco Engineering Inc.

Wehntalerstrasse 562
CH-8046 Zurich, Switzerland

Tel: +41 44 380 06 30
Fax: +41 44 380 06 31
e-mail: mailbox@nisco.ch
<http://www.nisco.ch>



Additional arm with electrode as dip tube



- (6) Nozzle Holder
- (7) Small Basin
- (8) Big Basin
- (9) Knurled Screw 1
- (10) Screw
- (11) Hose