

Aerodynamic Nozzles for VARD2Go



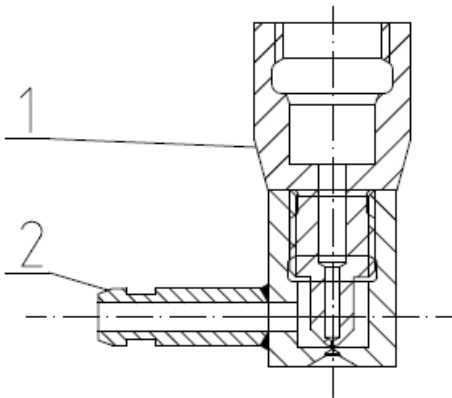
Nisco Engineering AG
Wehntalerstrasse 562
CH-8046 Zurich, Switzerland

Tel: +41 44 380 06 30
Fax: +41 44 380 06 31
E-mail: mailbox@nisco.ch
<http://www.nisco.ch>

The aerodynamic nozzles for the laminar jet break units consist of a light vibrating titanium nozzle and an additional pressure chamber.

The nozzles up to 100µm to 350µm are available in our scope of supply.

The aerodynamic nozzle is shown at the following picture:



The product flows through the product nozzle (1) which is placed in the specially constructed pressure chamber (2).

The production of beads in the size of the nozzle or half the size of the nozzle microcapsules is possible with use of the aerodynamic nozzles in the laminar jet break up technology (instead of

double the size or even larger with the standard laminar jet-break-up).

The typical flow rate corresponds with the diameter of the nozzle. Thus you can produce 100micrometer beads with a 200micrometer nozzle with a typical flow rate for 2% alginate of 3.7ml/min instead of 1.1ml/min with the standard laminar jet-break-up.

Scope of supply of the aerodynamic nozzles for laminar jet break-up is shown in the following table:

| Size | Air Nozzle | Nozzle | Type | Nozzle complete |
|-------|------------|---------|------|-----------------|
| 100µm | A-01286 | D-01460 | R | A 01279 |
| 150µm | A-00933 | D-01217 | R | A 00936 |
| 200µm | A-00934 | D-01218 | R | A 00937 |
| 300µm | A-00935 | D-01219 | R | A 00938 |
| 350µm | A-01151 | D-01352 | R | A 01152 |

Coaxial vibrating aerodynamic nozzles are available on request, as well.